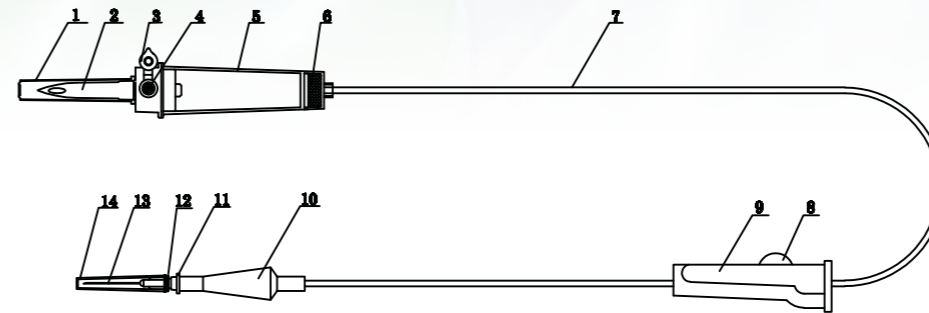


Hypodermic & Accessories

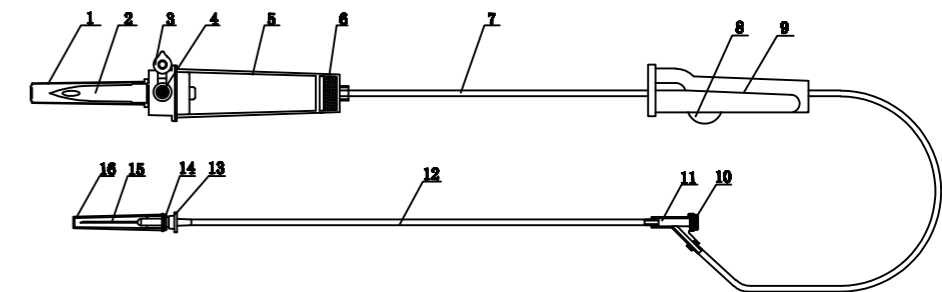


**GT034-100
Disposable Infusion Set**

1	Vent Spike With Cap	PP
2	Spike	ABS
3	Air Vent	PVC
4	Air Filtration Membrane	PP
5	Drip Chamber	PVC
6	Filter	ABS+PA66
7	Tube	PVC
8	Roller Clamp	ABS
9	Flow Regulator	ABS
10	Rubber Gum Bubble	LATEX
11	Butterfly Two Way	ABS
12	Needle Stand	PP
13	Stainless Steel Needle	SUS304
14	Needle cover	PP

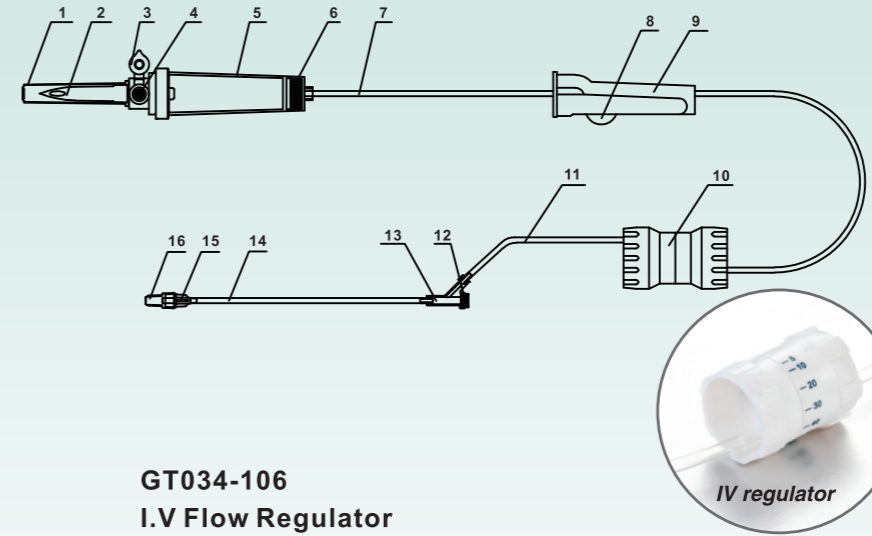
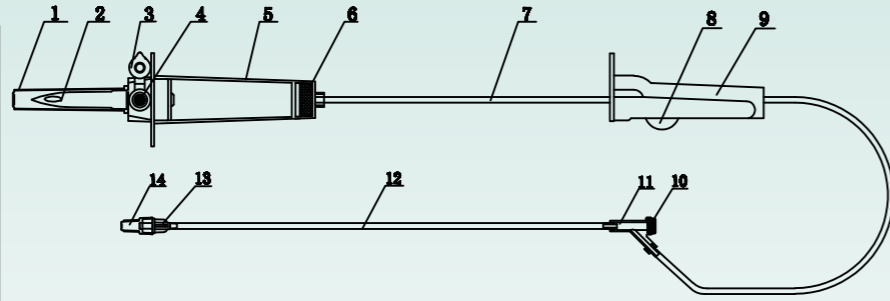
**GT034-101
Disposable Infusion Set**

1	Vent Spike with Cap	PP
2	Spike	ABS
3	Air Vent	PVC
4	Air Filtration Membrane	PP
5	Drip Chamber	PVC
6	Filter	ABS+PA66
7	Tube	PVC
8	Roller Clamp	ABS
9	Flow Regulator	ABS
10	Injection Rubber Gasket	Polyisoprene Rubber LATEX FREE
11	Y site Injection Part	LATEX
12	Tube	PVC
13	Butterfly Two Way	ABS
14	Needle Stand	PP
15	Stainless Steel Needle	SUS304
16	Needle Cover	PP



GT034-102
Disposable Infusion Set

1	Vent Spike With Cap	PP
2	Spike	ABS
3	Air Vent	PVC
4	Air Filtration Membrane	PP
5	Drip Chamber	PVC
6	Filter	ABS+PA66
7	Tube	PVC
8	Roller Clamp	ABS
9	Flow Regulator	ABS
10	Injection Rubber Gasket	Polyisoprene Rubber LATEX FREE
11	Y Site Injection Part	LATEX
12	Tube	PVC
13	Two Way	ABS
14	Cap	PP

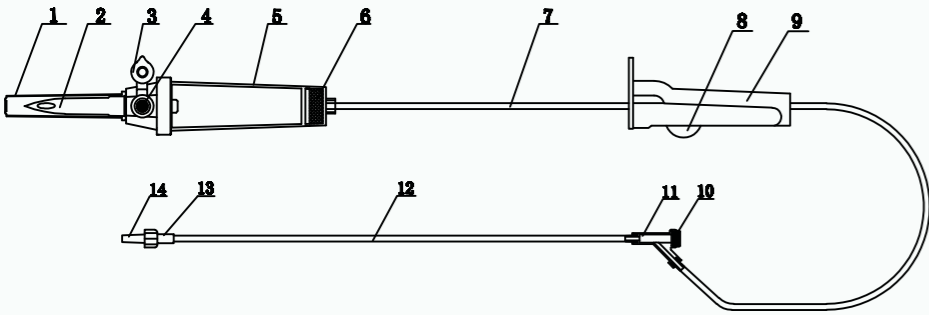


GT034-105
Disposable Infusion Set

1	Vent Spike with Cap	PP
2	Spike	ABS
3	Air Vent	PVC
4	Air Filtration Membrane	PP
5	Drip Chamber	PVC
6	Filter	ABS+PA66
7	Tube	PVC
8	Roller Clamp	PP
9	Flow Regulator	PP
10	IV regulator	ABS
11	Tube	PVC
12	Injection Rubber Gasket	Polyisoprene Rubber LATEX FREE
13	Y site Injection part	ABS
14	Tube	PVC
15	Two way	ABS
16	Cap	PE

GT034-106
I.V Flow Regulator

Precise Flow rate control of IV fluids with range of 5 to 250ml/hr
With "Y" injection port(latex or latex free)for intermittent medication
Also available with thumb support"Y" injection port and needle free"Y"site
Male luer connector at one end and female luer connector at other end
Standard tube length:20cm without "Y" site & 40cm with "Y"site

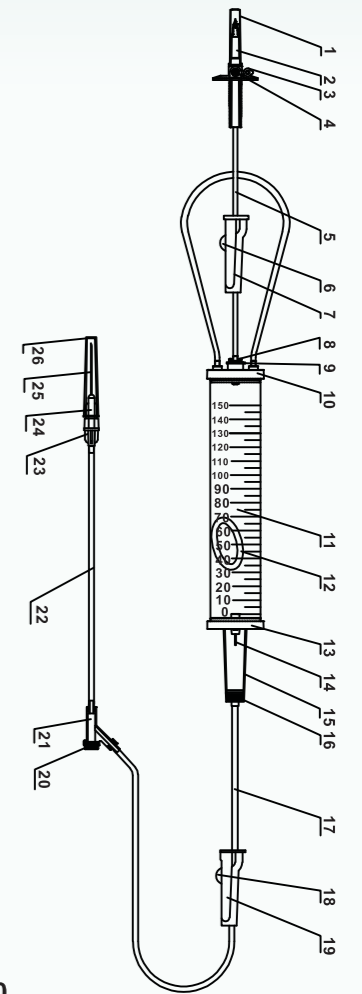


GT034-103
Disposable Infusion Set

1	Vent Spike With Cap	PP
2	Spike	ABS
3	Air Vent	PVC
4	Air Filtration Membrane	PP
5	Drip Chamber	PVC
6	Filter	ABS+PA66
7	Tube	PVC
8	Roller Clamp	ABS
9	Flow Regulator	ABS
10	Injection Rubber Gasket	Polyisoprene Rubber LATEX FREE
11	Y Site Injection Part	LATEX
12	Tube	PVC
13	Two Way	ABS
14	Cap	PP

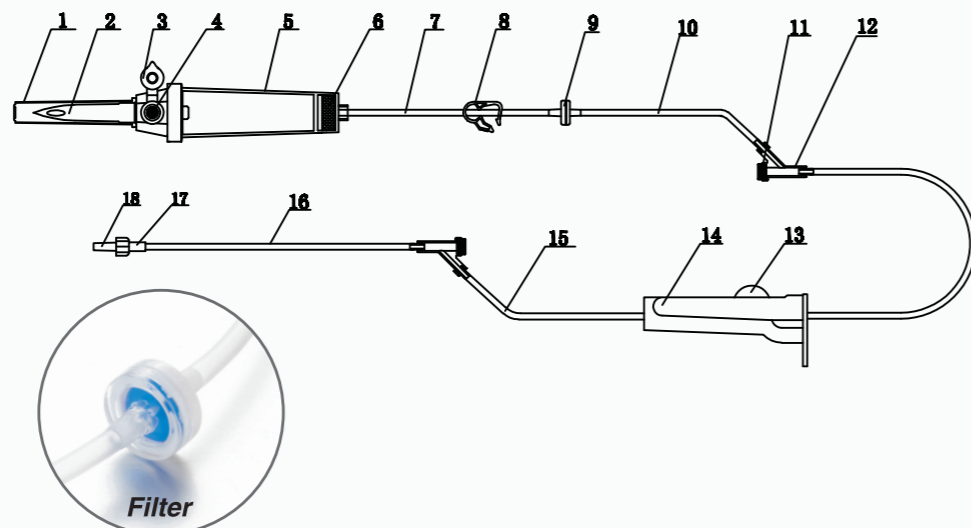
GT034-200
Disposable Burette Infusion Set

1	Vent Spike with Cap	PP
2	Spike	ABS
3	Air Vent	PVC
4	Air Filtration Membrane	PP
5	Tube	PVC
6	Roller Clamp	PP
7	Flow Regulator	PP
8	Injection Rubber Gasket	Polyisoprene Rubber LATEX FREE
9	Air Vent	PVC
10	Drip Cap	ABS
11	Barrel	PETG
12	Float	Polyisoprene Rubber LATEX FREE
13	Drip Cap	ABS
14	60 Drops Drip	SUS304
15	Drip Chamber	PVC
16	Filter	ABS+PA66
17	Tube	PVC
18	Roller Clamp	PP
19	Flow Regulator	PVC
20	Injection Rubber Gasket	Polyisoprene Rubber LATEX FREE
21	Y site Injection Part	ABS
22	Tube	PVC
23	Two Way	ABS
24	Needle Stand	PP
25	Stainless Steel Needle	SUS304
26	Needle Cover	PP



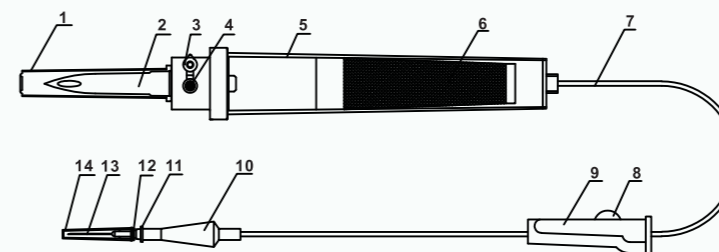
GT034-104
Disposable Infusion Set

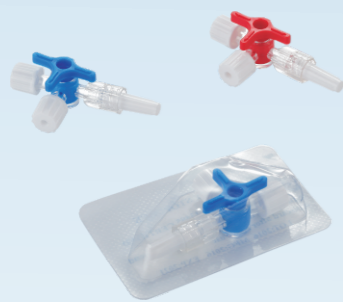
1	Vent Spike With Cap	PP
2	Spike	ABS
3	Air Vent	PVC
4	Air Filtration Membrane	PP
5	Drip Chamber	PVC
6	Filter	ABS+PA66
7	Tube	PVC
8	Auxiliary Clamp	POM
9	Anti-Reflux Valve	ABS
10	Tube	PVC
11	Injection Rubber Gasket	Polyisoprene Rubber LATEX FREE
12	Injection Plastic Part	ABS
13	Roller Clamp	ABS
14	Flow Regulator	ABS
15	Tube	PVC
16	Tube	PVC
17	Two Way	ABS
18	Cap	PE



GT035-100
Disposable Blood Transfusion Set

1	Vent Spike With Cap	PP
2	Spike	ABS
3	Air Vent	PVC
4	Air Filtration Membrane	PP
5	Drip Chamber	PVC
6	Filter	ABS+PA66
7	Tube	PVC
8	Roller Clamp	PP
9	Flow Regulator	PP
10	Rubber Gum Bubble	LATEX
11	Butterfly Two Way	ABS
12	Needle Stand	PP
13	Stainless Steel Needle	SUS304
14	Needle Cover	PP





**GT039-100
Stopcock Three way**

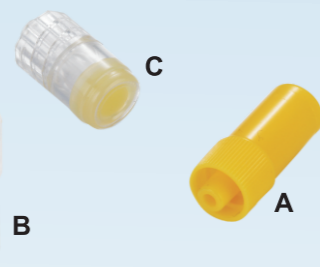
Parts:Body(PC),Plug(PE);Screw cap(ABS)
Cold and heat tests, and the products will not have the phenomenon of crack
Test pressure: 5.5kg.
Products Thread: 6:100 screw thread standard, this in line with international GB standards.
1000pcs/58x38x38cm



**GT039-300
Combi Stopper**

Size: Standard
Material: ABS
Sterile: EO
Fitted with male Luer lock at one end for safe and secure connection and the three way stop cock at the other end
packing:1pc/blister, 100pcs/box, 50boxes/ctn

**GT039-300A
Screw Cap**



**GT039-200
Heparin Cap**

Size: Standard
Type: A:Yellow
B:Transparent
C:Octagonal
Material: PC
Sterile: EO



**GT033-400
Back Check Valve**

Type: Male to Female;
Tube to Female; Tube to Tube;
Tube to Male



**GT033-200
Infusion Extension Tube**

Length: 10CM,15CM,20CM, 25CM....300CM

**GT033-300
T Shape Extension Tube**

Length: 10CM,15CM,20CM, 25CM....300CM



**GT033-100
Three Way Stopcock
with Extension Tube**

Tube Size: 10cm, 15cm, 20cm, 25cm....300cm
Parts: Body(PC),Plug:(PC),Screw Cap(ABS)
Tube (medical Grade PVC),Connector(ABS)
Products Thread:100 Screw Thread Standard, This Is Line With International Gb Standards
Usage: Connect With Infusion Set, Extend Infusion Tube, Fitted With Male Luer Lock At One End For Safe And Secure Connection and The Three Way Stop Cock At the Other End
Sterile: EO



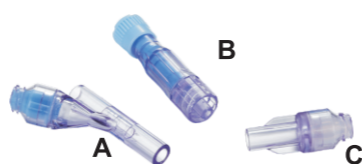
**GT033-500
Stopcock Three Way**

Type: Single Platoon(two way/three way)/Double Platoon/Triple Platoon/with connection tube
High Pressure Platoon Stopcock Three Way
Type: Double Platoon, Triple Platoon,
Triple Platoon with extension tube, Quadruple Platoon Low Pressure Platoon Stopcock Three Way
Type: Double Platoon, Triple Platoon



**GT033-600
Stopcock**

Size: Standard
Type: Single Platoon(two Way/three Way)
/double Platoon/Triple Platoon
/with Connection Tube
Color: White(artery)blue(intravenous)
White(others)



**GT033-700
Needle Free Connector**

Size: Standard
Type: Straight/Y type/intubation
A: Y-site Needle free connector
B: Needle free connector luer lock
C: Needle free connector with tube



**GT033-800
Extension Line with Positive Pressure Needle Free Connector**

- More Positive and more gentle flushing, safer for venous intima.
- No Leakage under 100 kPa/300kPa
- Biomedical grade silicone, safer than latex

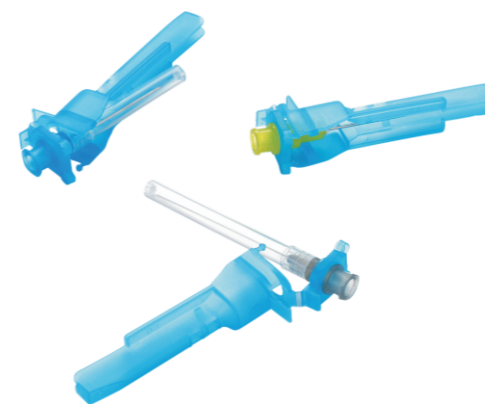
Product Description	Mpa
1-way 1.3x2.3mm	100kPa
2-way 1.3x2.3mm	
3-way 1.3x2.3mm	
1-way 1.3x2.3mm,with check valve	300kPa
2-way 1.3x2.3mm,with check valve	
3-way 1.3x2.3mm,with check valve	

**GT037-100
Disposable Syringe**

Material:PVC
Parts:Barrel+Piston+Plunger +Needle(or without needle)
Parts:Barrel+Plunger +Needle(or without needle)
Luer Lock or Luer Slip / 2 parts or 3 parts
1ml 3000PCS/59x44x45cm / 3ml 3000PCS/59 x44x45cm
5ml 2400PCS/56x44x46.5cm / 10ml 1200PCS/56x44x46.5cm
20ml 800PCS/59x44x44cm / 60ml 400PCS/59x44x44cm



**GT038-100
Disposable Needle**



**GT038-101
Disposable Safety Needle**

Specification		Color
mm	Gauge	
0.8x40mm	21Gx1 1/2"	Deep Green
0.8x50mm	20Gx2"	Deep Green
0.9x16mm	20Gx5/8"	Yellow
0.9x25mm	20Gx1"	Yellow
0.9x30mm	20Gx11/4"	Yellow
0.9x40mm	20Gx11/2"	Yellow
0.9x50mm	20Gx2"	Yellow
1.1x25mm	19Gx1"	Cream
1.1x30mm	19Gx11/4"	Cream
1.1x40mm	19Gx11/2"	Cream
1.1x50mm	19Gx2"	Cream
1.2x25mm	18Gx1"	Pink
1.2x30mm	18Gx11/4"	Pink
1.2x40mm	18Gx11/2"	Pink
1.2x50mm	18Gx2"	Pink
1.5x20mm	17Gx3/4"	Red-Blue
1.5x50mm	17Gx2"	Red-Blue
1.6x25mm	16Gx1"	White
1.6x40mm	16Gx11/2"	White
1.8x40mm	15Gx11/2"	Bulu-Grey
1.8x50mm	15Gx2"	Bulu-Grey
2.0x70mm	14Gx24/5"	Light Green
2.0x120mm	14Gx44/5"	Light Green



**GT037-200
Tuberculin Syringe**

Size: 0.5ml, 1ml
 Material: Medical PP (barrel And Plunger)
 Latex/latex Free (piston)
 Stainless Steel (Needle)
 Sterilized By Eo Gas
 Individually Packing: Pe Bag (polybag) Or Blister Packaging.
 Inner Packing: Box/polybag
 Outer Packing: Corrugated Carton

**GT037-300
Insulin Syringe**

Size: 0.3ml,0.5ml,1ml
 Material: Medical Pp(barrel And Plunger)
 Latex/latex Free (piston)
 Stainless Steel(Needle)
 Scale: 40/100u
 With Fixed Needle 29g/30g
 With Fixable Cap Or Removable Cap
 Sterilized By Eo Gas
 Individually Packing: Pe Bag (polybag) Or Blister Packaging.
 Inner Packing: Box/polybag
 Outer Packing: Corrugated Carton



**GT037-400
Saftly Auto Destructive Syringe**

Size: 0.05ml, 0.1ml, 0.5ml
 Material: Medical PP (barrel And Plunger)
 Latex/latex Free (Piston)
 Stainless Steel (Needle)
 Individually Packing: Blister Packaging.
 Inner Packing: Box/Polybag
 Outer Packing: Corrugated Carton

**GT037-500
Saftly Auto Destructive Syringe**

Size: 2ml, 3ml, 5ml, 10ml
 Material: Medical PP(barrel And Plunger)
 Latex/latex Free (Piston)
 Stainless Steel (Needle)
 Individually Packing: Blister Packaging.
 Inner Packing: Box/Polybag
 Outer Packing: Corrugated Carton



**GT037-600
Safe Clip Syringe**

Size:1ml, 3ml, 5ml, 10ml, 20ml
Operation procedure
 ① Fix the clip before drawing.
 ② Same operation as normal syringe in drawing and injecting
 ③ After injection, push the clip over the needle and lock it onto the clip base

**GT037-700
Safe Syringe**

Size: 0.5m, 1ml, 3ml, 5ml, 10ml
 Material: Medical PP(Barrel And Plunger)
 Latex/latex Free (Piston)
 Stainless Steel (Needle)
 Individually Packing: Blister Packaging
 Inner Packing: Box/Polybag
 Outer Packing: Corrugated Carton



**GT038-900
Insulin Needle**

Needle Size	Needle length	Package
30G	8mm	100pcs/box
31G	8mm	100pcs/box
31G	6mm	100pcs/box
31G	5mm	100pcs/box
32G	4mm	100pcs/box
33G	4mm	100pcs/box

**GT038-500
Scalp Vein Set**

Type: Single Wing, Double Wings

Needle O.D(mm)	Color	Needle O.D(mm)	Color
0.3	Yellow	1.1	Milky white
0.33	Red	1.2	Pink
0.36	Bluish Green	1.4	Redish Purple
0.4	Grey	1.6	White
0.45	Brown	1.8	Bluish Grey
0.5	Orange	2.1	Light Green
0.55	Purple	2.4	Purple
0.6	Dark Blue	2.7	Light Blue
0.7	Black	3.0	Greenish Yellow
0.8	Dark Green	3.4	Greenish Brown
0.9	Yellow	-	-



GT038-700

I.V. Cannula

Needle size: 14, 16,18,20,22,24G

I.V.Cannula with Injection port and suturable wings

I.V Cannula with suturable wings

I.V Cannula with Injection port and without Wings

Option Available :

- PTFE / FEP / PU Flex Catheter
- Hydrophobic filter
- Clear or Radio Opaque Catheter

Advantage of using PU Flex Catheter :

- Kink free
- The Catheter softens once inserted in the body
- The properties of this Catheter are similar to PU (Polyurethane)

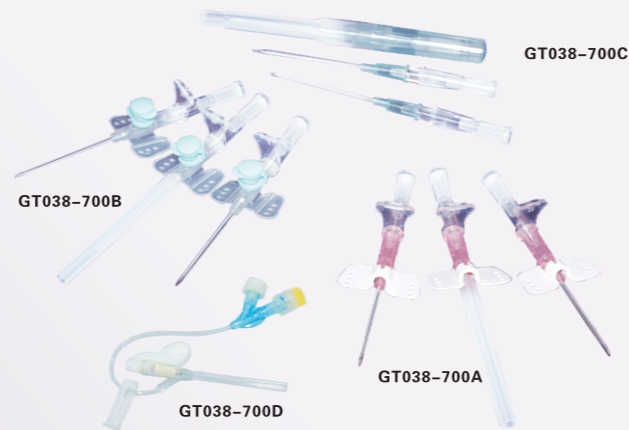
FEATURES:

Japanese Needle with 3-facet Needle point to reduce penetration force
Kink resistant and specially tapered Catheter for easy vein puncture with minimum trauma

Transparent flash back chamber for easy visualization of blood to confirm venipuncture

With Luer Lock plug

Colour coding for each gauge as per International standards

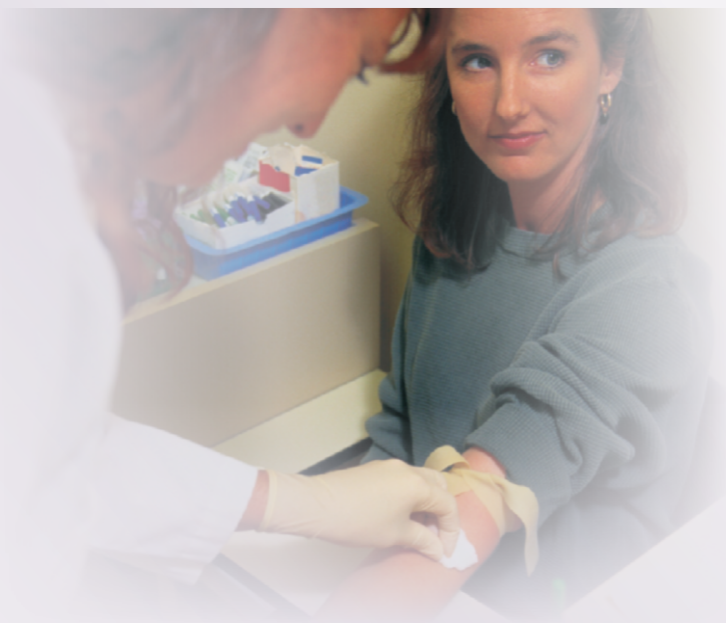


Size	Colour	Catheter (mm)		Catheter Length (mm)	Water Flow Rate (ml / min)
		I.D	O.D		
14 G	Orange	1.7	2.1	45	270
16 G	Grey	1.3	1.7	45	180
17 G	White	1.1	1.5	45	125
18 G	Green	0.9	1.3	32 / 45	80
20 G	Pink	0.8	1.1	32	54
22 G	Blue	0.6	0.9	25	33
24 G	Yellow	0.5	0.7	19	20



GT054-200 Tourniquet

Adult (45x2.5cm)
Color: Blue, Pink, Yellow, Purple, Green, Orange, Red Etc
Children(38x2.5cm)
Color: Blue, Pink, yellow, Purple, Green, Orange, Red Etc
Button: Abs
Belt: Terylene+elastic Rubber
Length:45cm x Width: 2.5cm
Stretch Length: 80-90cm
Packing: 1pc/pp Bag,50 Pcs/ctn, 600 Pcs/ctn, 57 x 38x37cm



GT054-100

Latex-free Tourniquet

Width: 3/4";1"
Thickness: 0.06mm
Length:18"
Color: Blue, Yellow, Green

TPE Tourniquet

Width: 3/4";1"
Thickness: 0.06mm
Length:18"
Color: Blue, Yellow



GT055-100 Latex Tube

I.D.: 3.0-8.0
O.D.: 5.0-12.0
Length: 20m,25m



Pencil Point

Quincke Tip

GT038-300

Spinal Needle

Type: Pencil Point; Quincke Tip

Length: 90mm

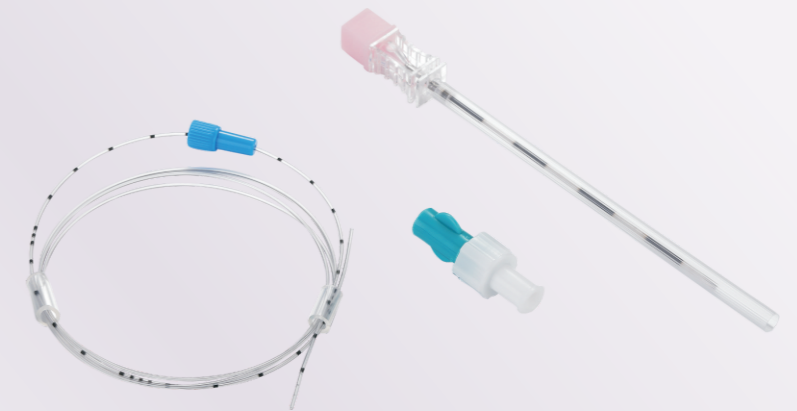
Guide needle is available

Size	18G	19G	20G	21G	22G	23G	24G	25G	26G	27G
Quincke	Pink	White	Yellow	Green	Black	Blue	Purple	Orange	Brown	Grey
Pencil Tip	/	/	/	/	Black	Blue	Purple	Orange	Brown	Grey

GT038-400

Epidural Needle

#12 - #18(18G - 15G) L65 - 150 mm
Needle material: stainless steel
Needle hub: transparent PP
Color coded hub for size identification
Packed in individual Blister Bag
1000pcs/ctn, Dimension: 42X27X52cm



GT038-410

Epidural Catheter

GT038-420

Connect Adapter Luer Lock

Anesthesia Kit (Mini)



GT038-900E

GT038-900E/S

Accessories	900-E/S	900-E	900-S
Epidural needle	16G/18G 80mm/90mm	Same	
Spinal needle	25G/27G 113/123MM(Pencilpoint)		20G/22G/25G
Epidural catheter	Pull-resistance length > 90cm	Same	
Epidural Catheter adapter	One	Same	
Liquid medicine filter	(blue) 5 μ	Same	Same
Air filter	(Yellow) 0.5μ	Same	
LOR Syringe	One Glass 5ml	Same	Same
Plastic Syringe	Two(3ml and 20ml)	1 pc 20ml	1 pc 5ml
Syringe needle	One OD 0.5mm L20mm One OD 0.7mm L32mm One OD 1.6mm L38mm	Same	Same